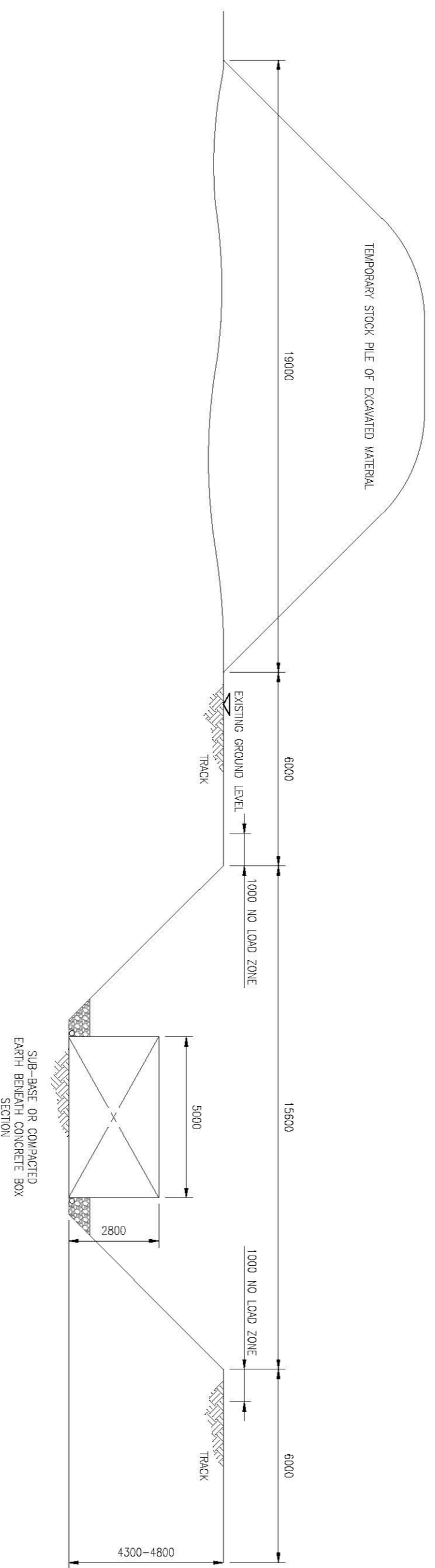
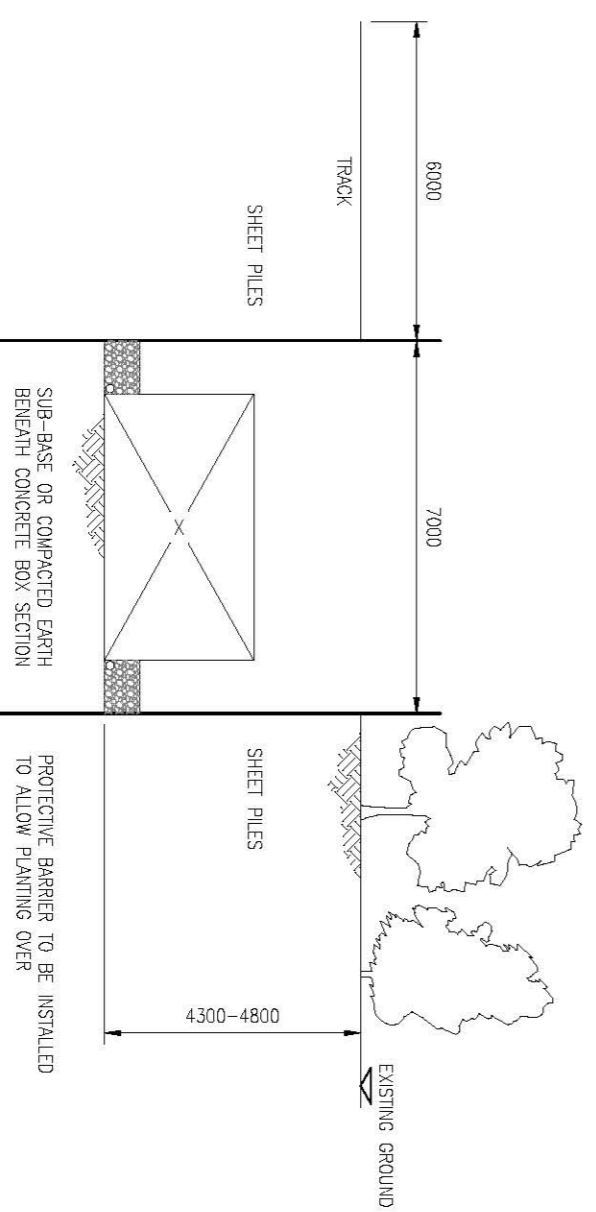


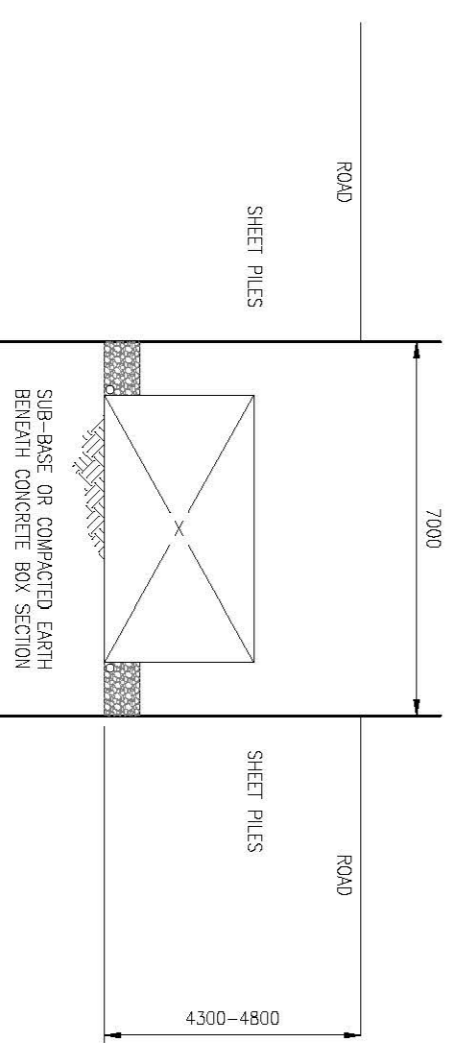
CONSTRUCTION PHASE CROSS SECTION - GAS PIPELINE



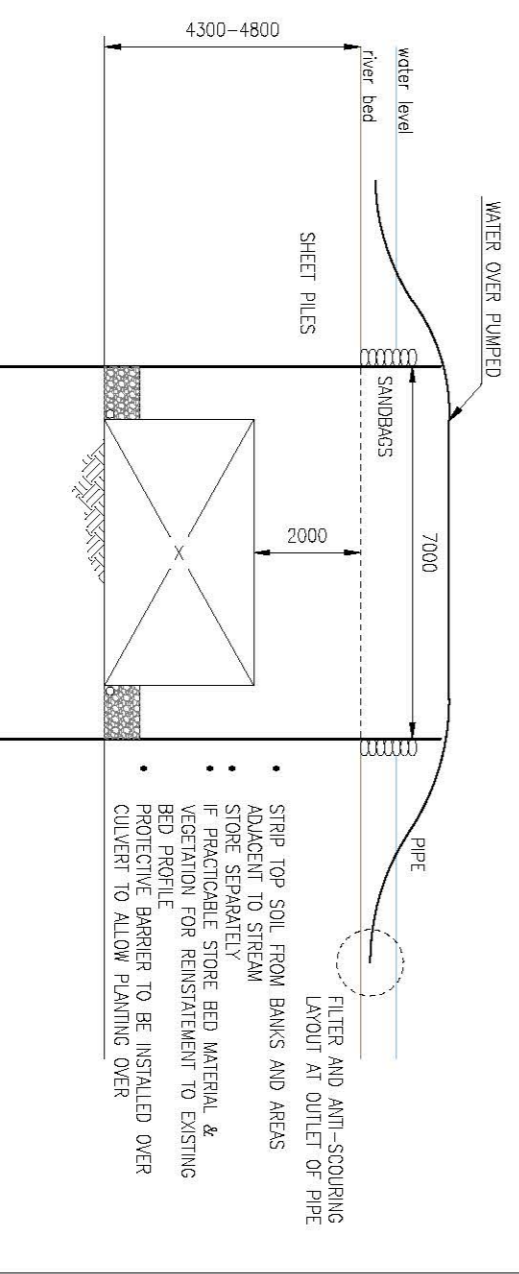
TYPICAL CONSTRUCTION PHASE CROSS SECTION



CONSTRUCTION PHASE CROSS SECTION - ROSKA PARK WOOD

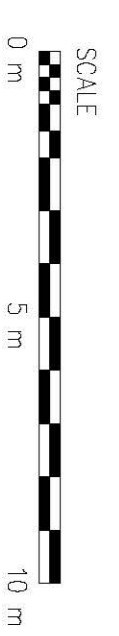


CONSTRUCTION PHASE CROSS SECTION - ROAD CROSSING



CONSTRUCTION PHASE CROSS SECTION - BELLHOUSE GHTLL WATERCOURSE CROSSING

REFERENCE DRAWINGS
869/AC/002 - RLF Conveyor Culvert - Proposed Plan



Cumbrian Metallurgical Coal Project
869/AC/006
Conveyor
RLF Conveyor Culvert -
Typical Construction Phase Cross Sections

Date	By	AC	Scale	QA	Rev
MAY 2017	AC	A1	1:100	LV	A

HIRST CUMBRIA
MINING