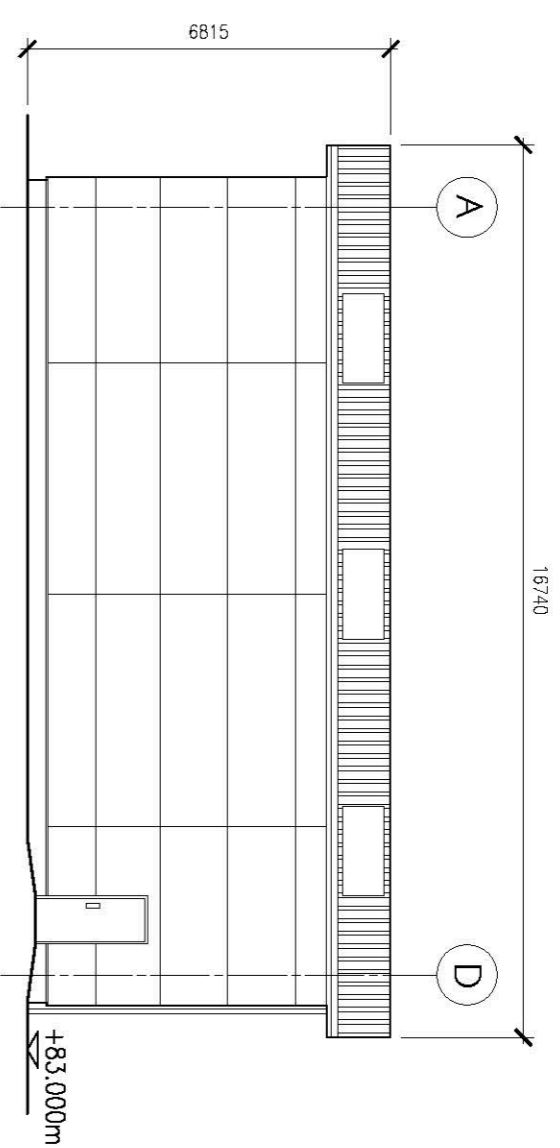
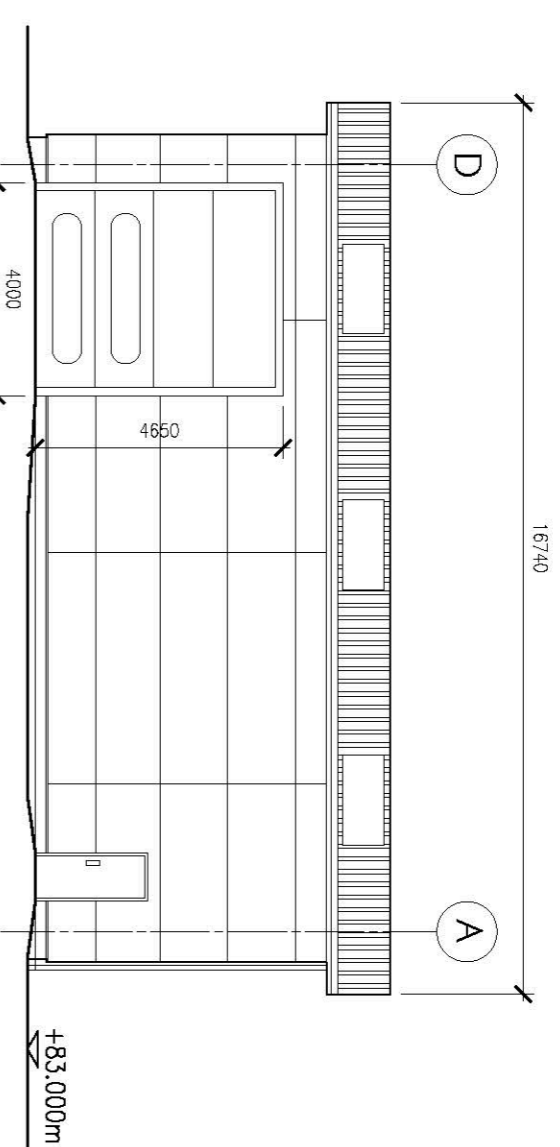


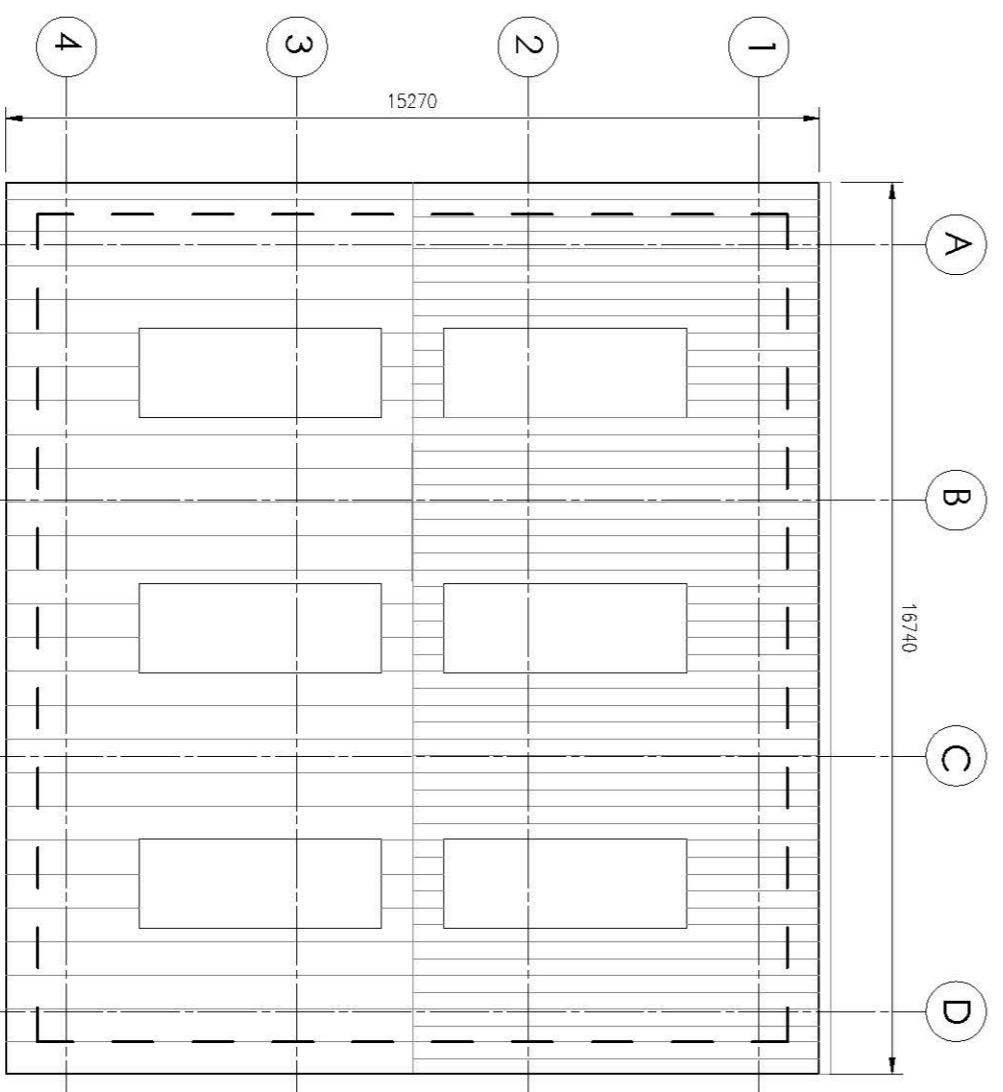
Sectional Plan  
Scale 1:100



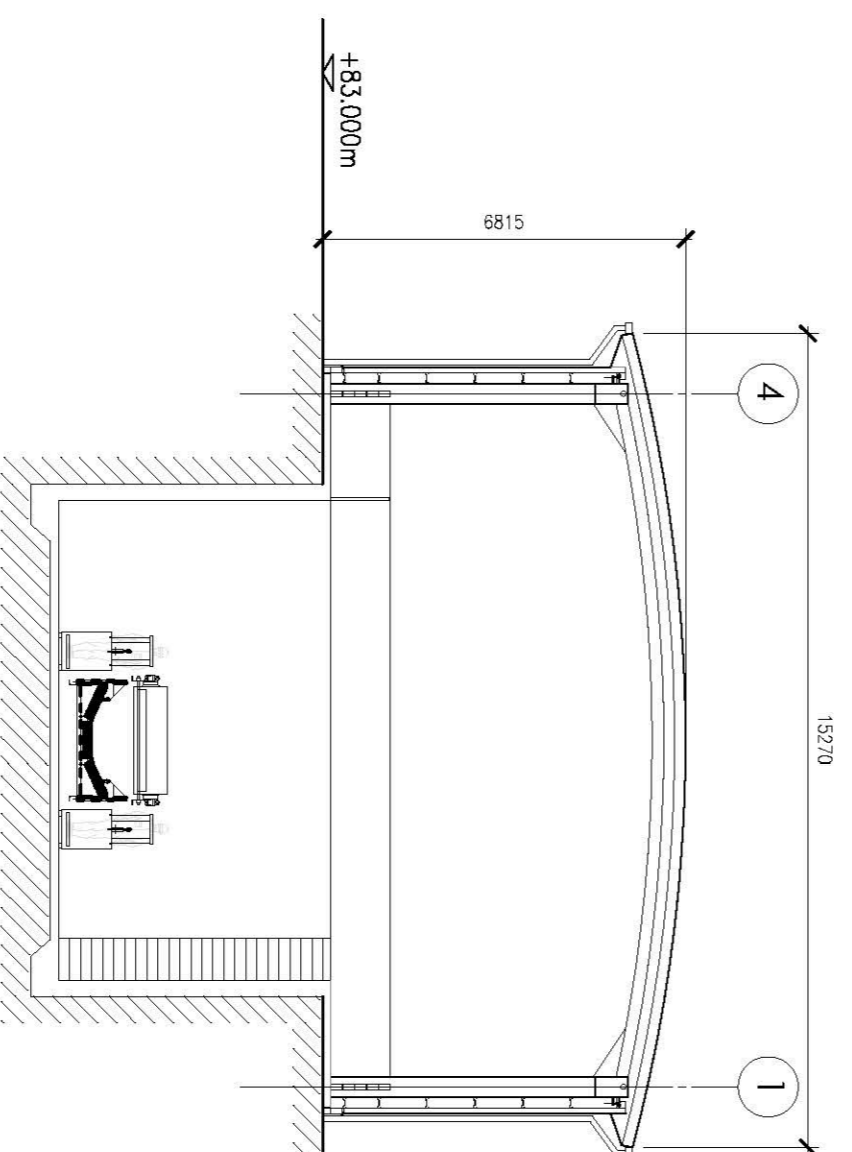
South West Elevation  
Scale 1:100



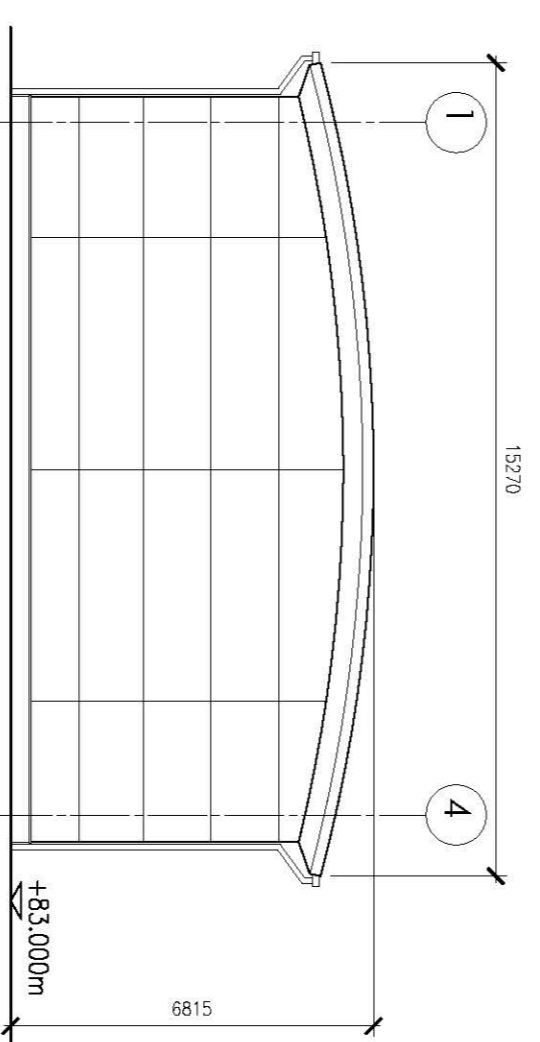
North East Elevation  
Scale 1:100



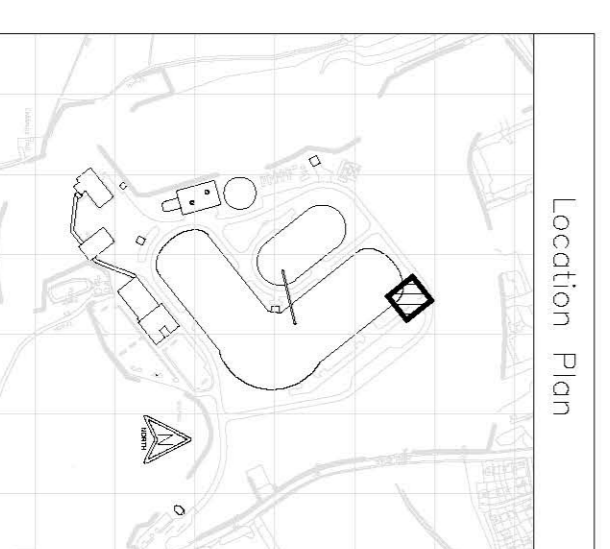
Roof Plan  
Scale 1:100



Section  
Scale 1:100



North West Elevation  
Scale 1:100



Location Plan

**FINISHES**  
 Roof – Sound insulated composite metal roofing system, grey/green RAL colour tbc  
 Roof Lights – poly carbonate safety roof lights  
 Walls – Sound insulated metal wall cladding, grey/green RAL colour tbc  
 Doors – Metal doors paint finish grey/green RAL colour tbc  
 Gutters & Down pipes – Aluminium RAL colour tbc  
 Large Doors – Steel shutter door grey/green RAL colour tbc



SCALE

Cumbrian Metallurgical Coal Project  
 869/AM/034  
 Main Mine Site  
 RLF Conveyor Drive Building  
 Proposed Plan & Elevations  
 Date MAY 2017  
 By MRH  
 Paper Scale 1:100  
 QA TEO  
 Rev A