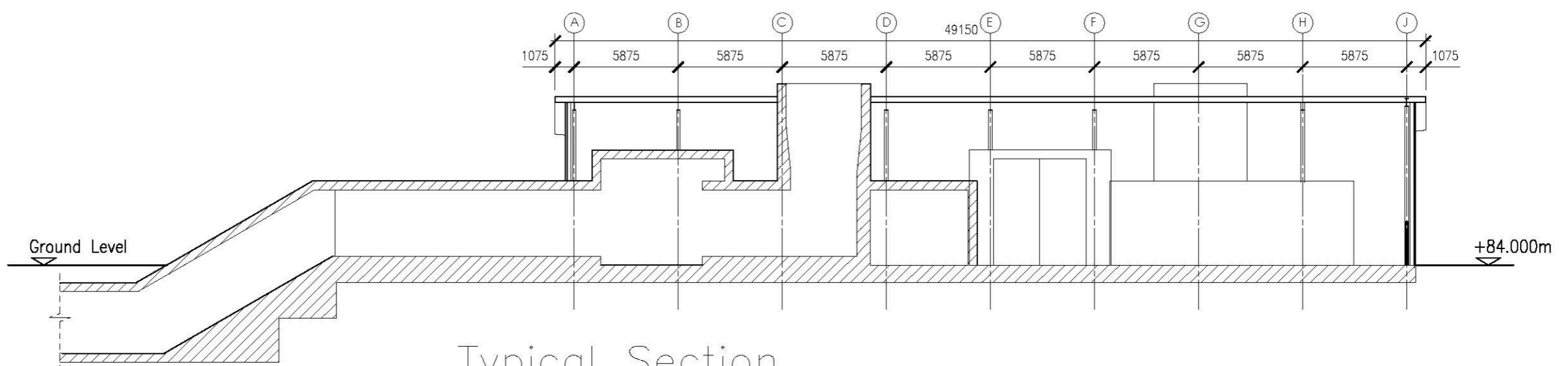
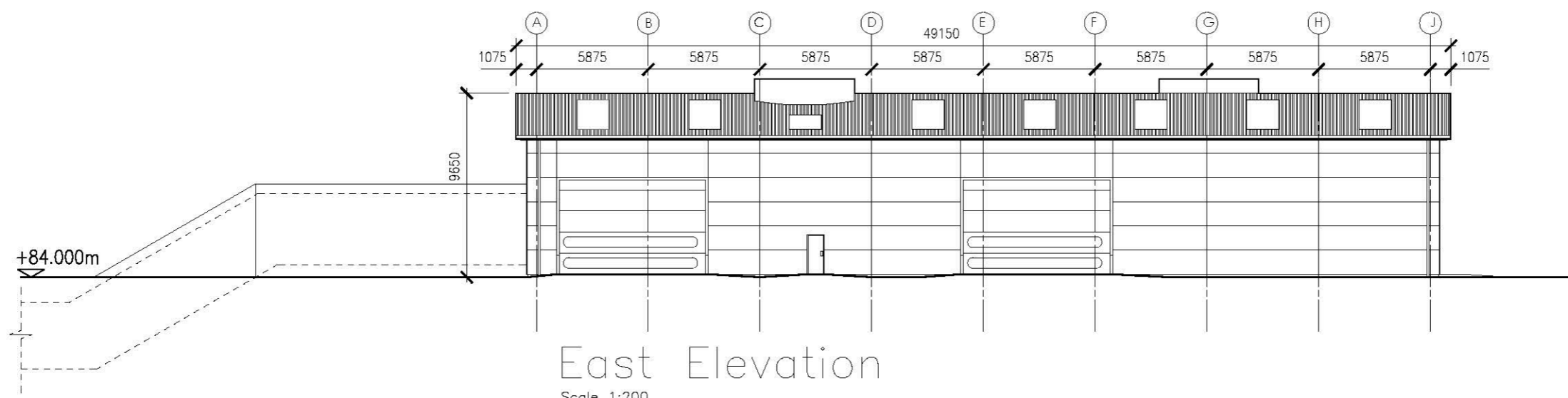


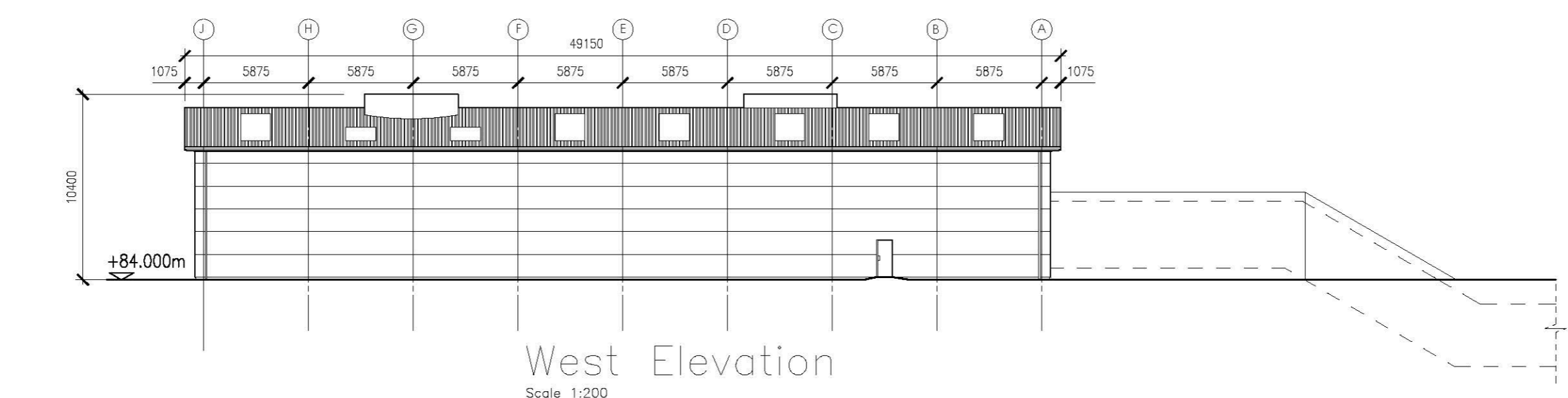
Plan  
Scale 1:200



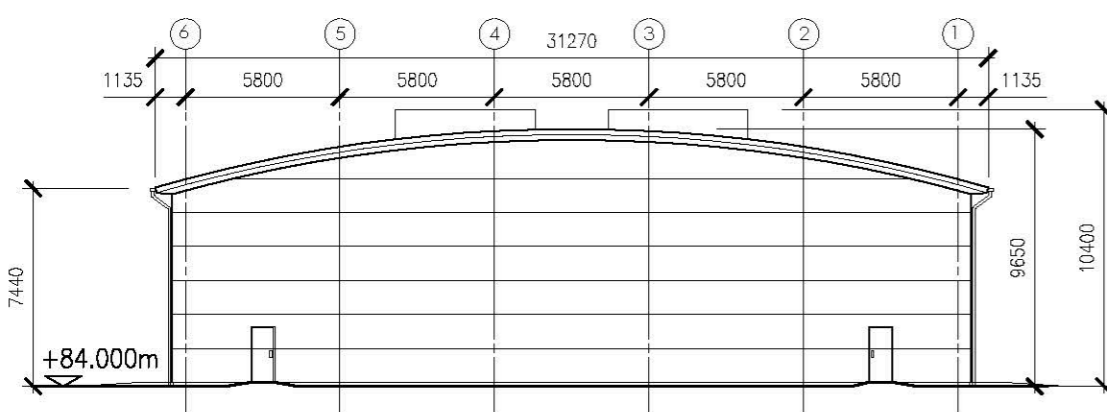
Typical Section  
Scale 1:200



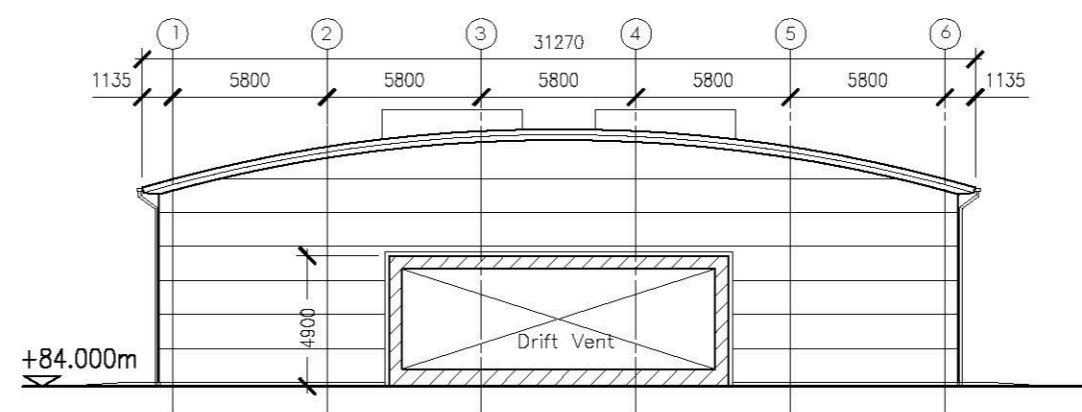
East Elevation  
Scale 1:200



West Elevation  
Scale 1:200



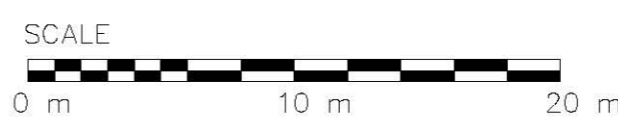
North Elevation  
Scale 1:200



South Elevation  
Scale 1:200



**FINISHES**  
 Roof – Sound insulated composite metal roofing system, grey/green RAL colour tbc  
 Roof Lights – poly carbonate safety roof lights  
 Walls – Sound insulated metal wall cladding & metal louvres, grey/green RAL colour tbc  
 Windows – Aluminium double glazed windows, finish grey/green RAL colour tbc  
 Doors – Steel painted doors, finish grey/green RAL colour tbc  
 Guttering & Down pipes – Aluminium RAL colour tbc  
 Large Doors – Steel shutter door, grey/green RAL colour tbc



Cumbrian Metallurgical Coal Project  
 869/AM/019  
 Main Mine Site  
 Fan House  
 Proposed Plans and Elevations  
 Date: MAY 2017 By: MRFH Paper: A1 Scale: 1:200 QA: TEO Rev: A